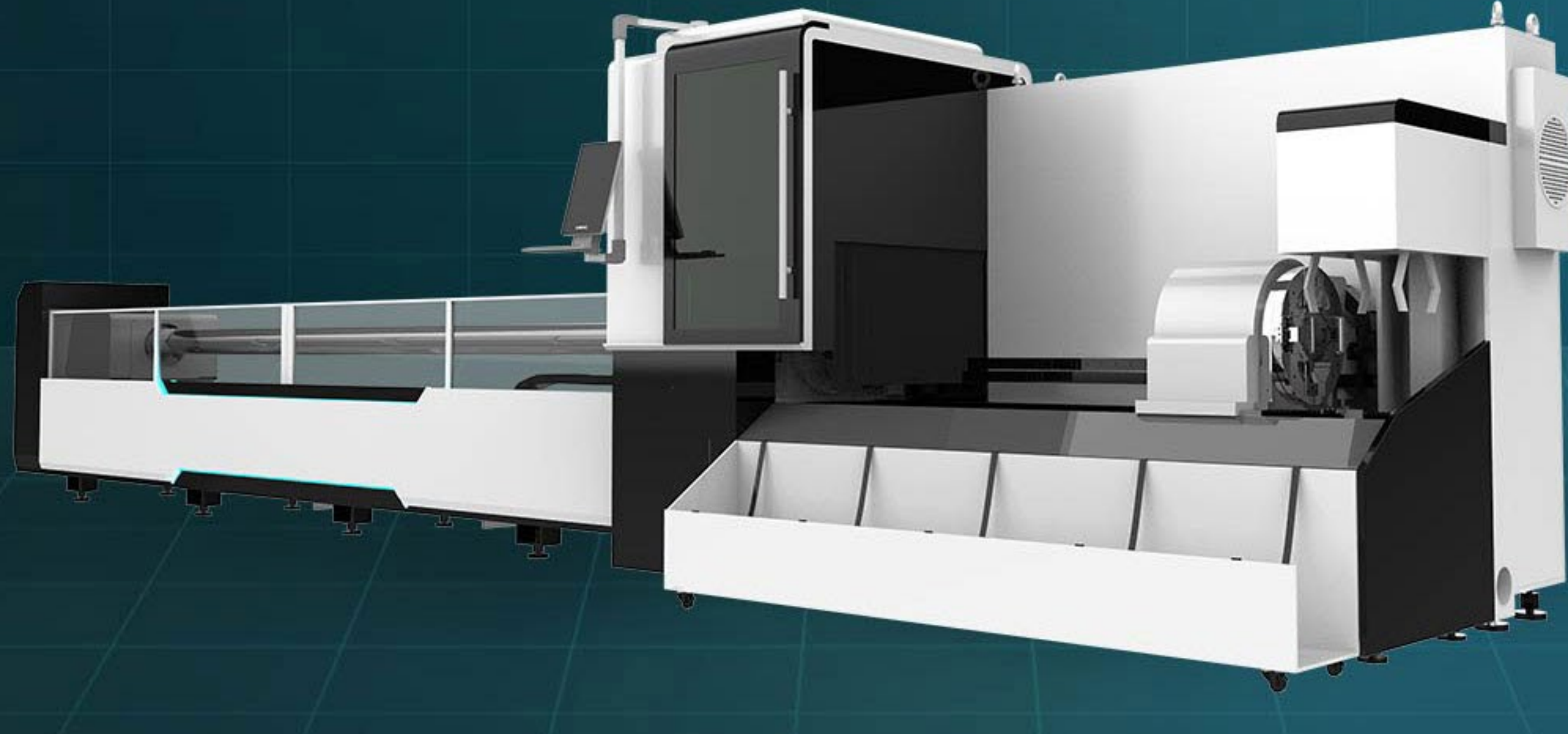


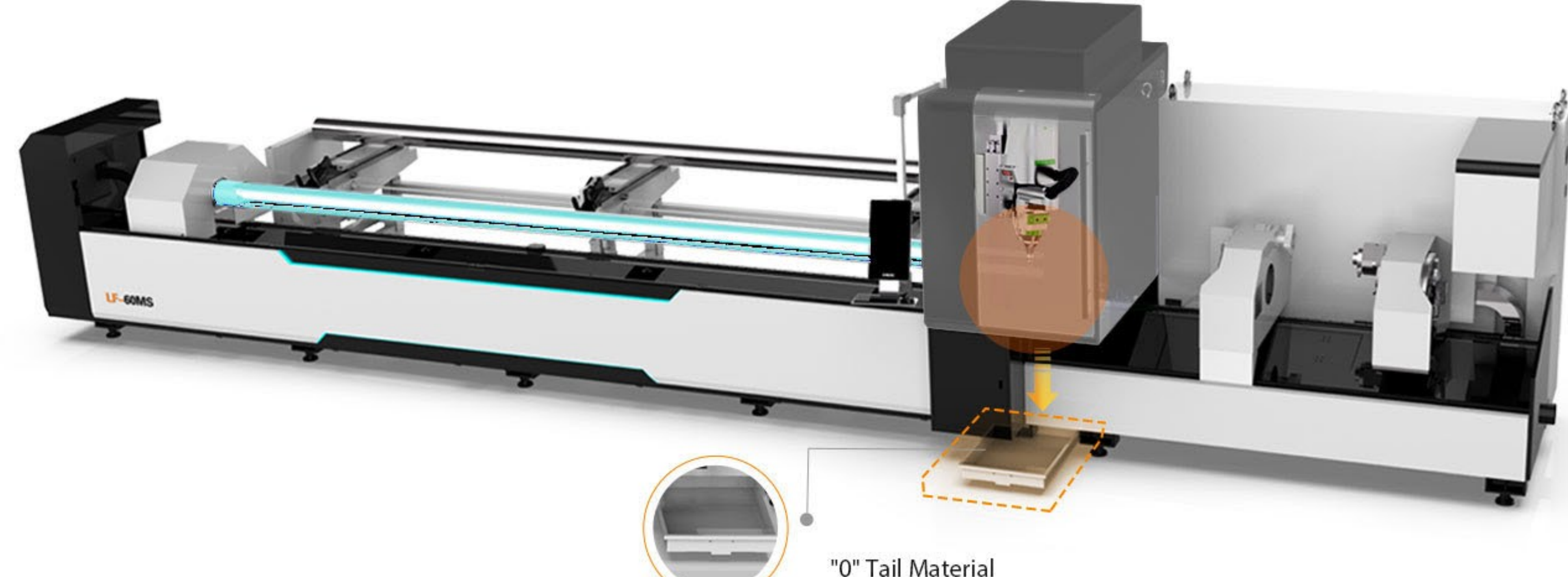
PROFESSIONAL TUBE /8000W

LF60MS THREE CHUCK ZERO REMAINS LASER CUTTING MACHINE



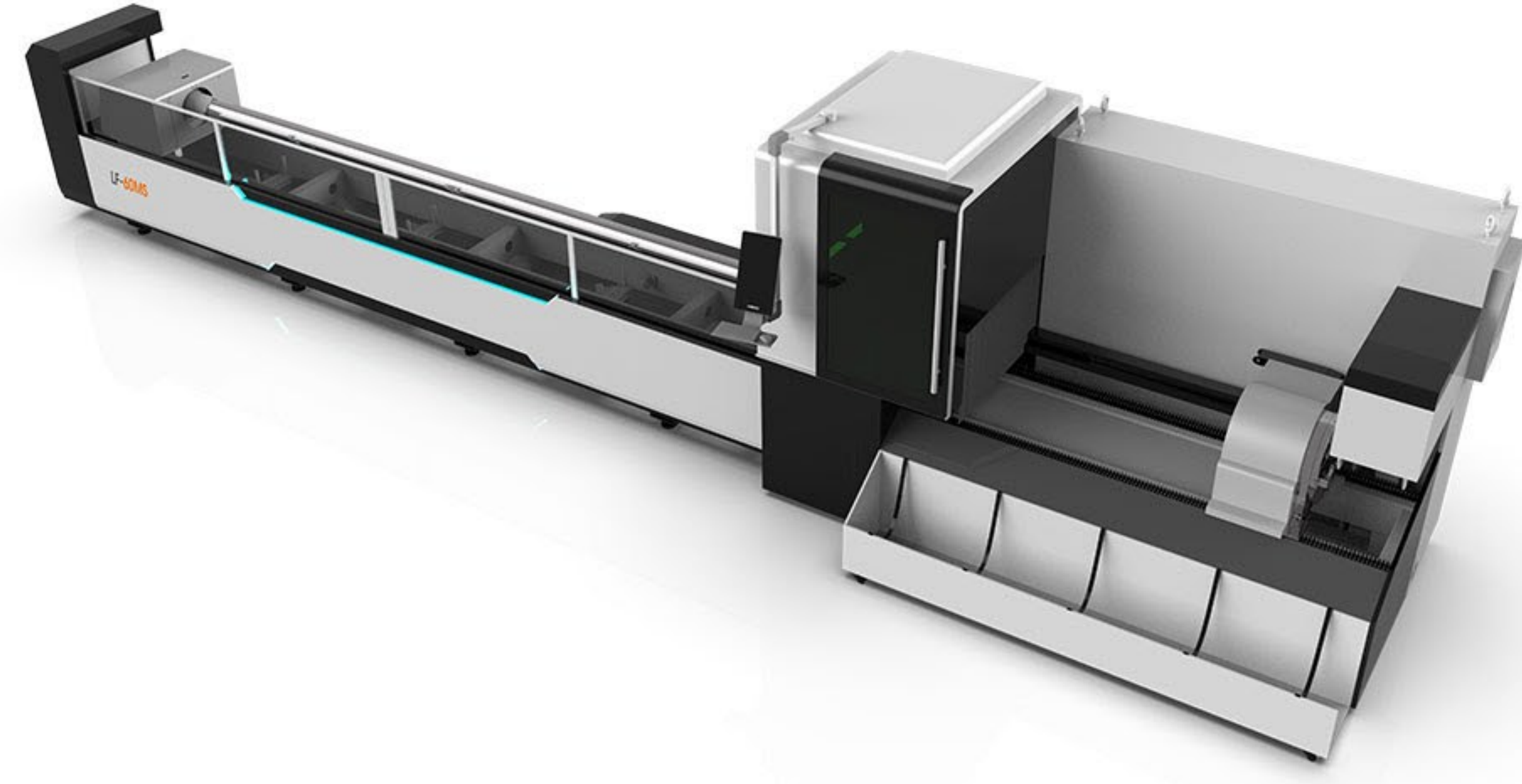
"0" Tail Material

Professional three-chuck configuration, full-stroke clamping, one machine can cut, open holes, cut arcs, hollow out, wear through, which greatly saves the cost of raw materials.



Fractional Automatic Support Installation

It employs intelligent tube support design, which can solve the deformation problems in the process of long tube cutting.



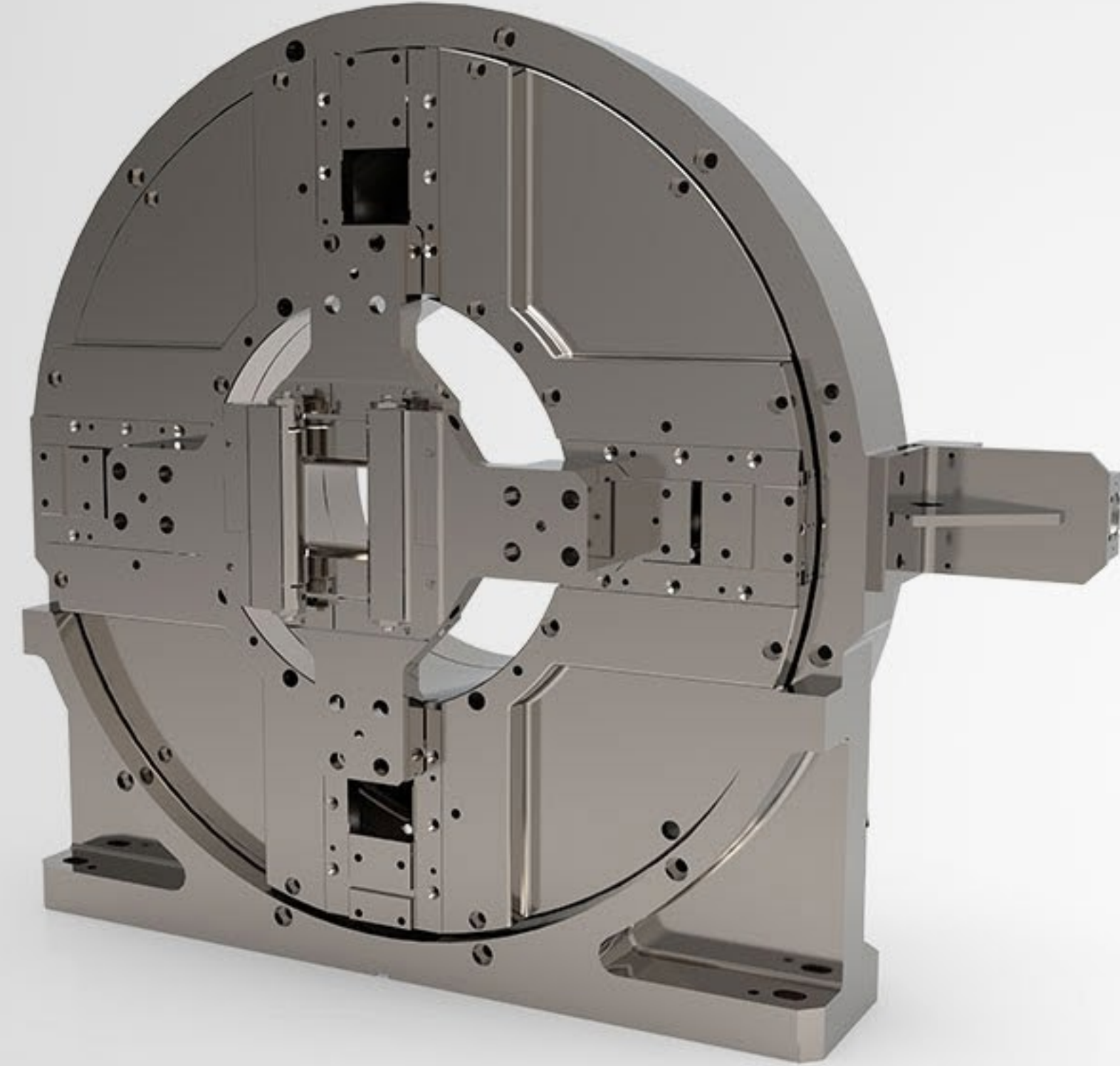
Full-automatic feeding and unloading material device

Automatic Feeding

Realize the intelligent material separation, feeding and seamless docking with the fiber laser cutting machine after the whole bundles of tubes are placed in the feeding device, and ensure that only one tube is delivered to the conveying arm each time.

Automatic Unloading

The finished product is automatically dropped to the storage bin, double support-bearing auxiliary support overlong tubes.



Clamp design

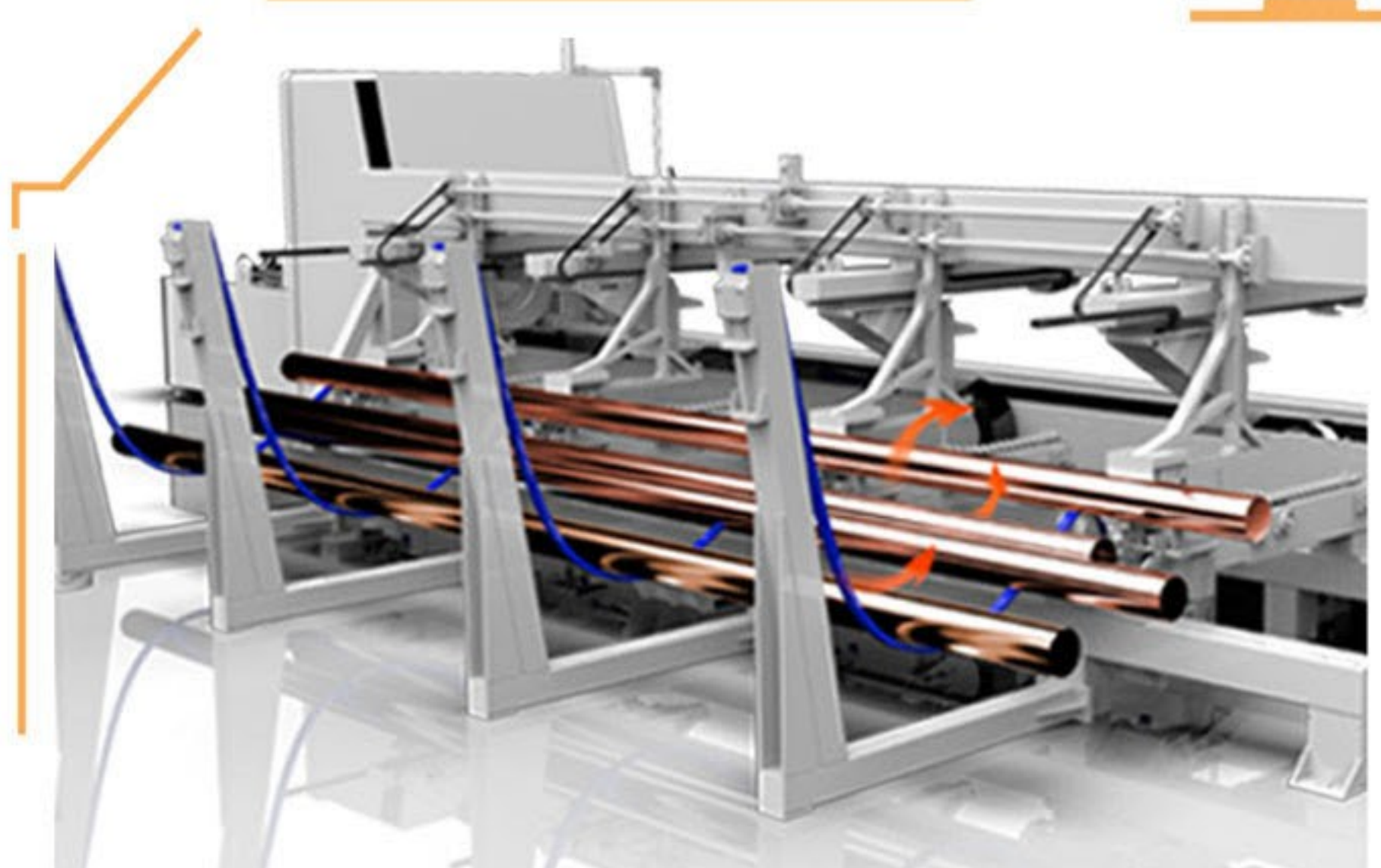
It adopts a pneumatic clamp design on both sides and it can modulate the center automatically. The diagonal adjustable range is 20-300mm.

Optional

"Five-axis linkage" cutting head



"Automatic" stroke protection



Industry Applications

Take the oil industry for example, the main route of oil transport is the pipeline, and because of the characteristics of the pipeline itself, leading to the high quality requirements of the pipeline. While fiber laser cutting machine can achieve the pipes multi-angle precision processing to fulfill the oil transportation requirement. Professional tube fiber laser cutting machine—LF60M is used for cutting square tube, rectangular tube, oval tube, waist type tube, hexagonal tube; square tube □ 20 * 20 □ 150 * 150mm, round tube Φ20-Φ 210mm wall thickness of 0.5-10mm carbon steel tube, 0.5-10mm stainless steel tube.

Technical Parameters

MS SERIES

Machine model	LF60MS
Laser power	1000W 2000W 3000W 4000W 6000W 8000W (OPTIONAL)
Working area	HOLD DIAMETER:Φ20MM-Φ300MM
Dimensions	11900*1880*2260MM
Repeat positioning accuracy	±0.02MM
Maximum speed	30M/MIN
Max. acceleration	1.5G
Voltage and frequency	380V 50HZ/60HZ

JINAN G.WEIKE SCIENCE & TECHNOLOGY CO.,LTD

In hi Tech square High-Tech Zone, Jinan,Shandong,China

E-mail: wkcutt@163.com

Hotline: 400-061-521

Fax: +86-0531-88912386